

PRODUCT DATA SHEET

BIA-AUTOSUBX • 810341



BRAND

**BIANCO
PUMPZ**

PRODUCT DETAILS

The Bianco AUTOSUB-X Submersible Pump is specially designed and manufactured for the rainwater industry.

Designed for use with a floating inlet kit, AutoSub-X ensures that the sweetest cleanest water is drawn from the body of the stored water, minimising sediment or floating contaminants.

It is intended for use in household applications for the automatic supply of clean water which contains no fibres.

APPLICATIONS

- Household water supply
- Drinking water
- Gardening

FEATURES

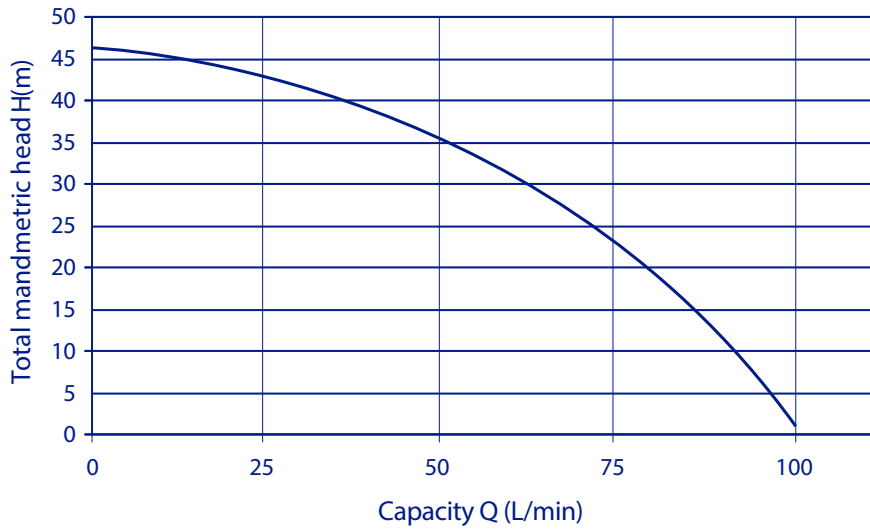
- Compact
- Easy to install and use
- Automatic on/off
- Intelligent controller
- Dry-run protection
- Water cooled motor

TECHNICAL DATA

RATED POWER (W)	750
MAX. FLOW [LPM]	100
MAX. FLOW [M3/H]	6
MAX. HEAD [M]	45
MOTOR PROTECTION LEVEL	Class F
PROTECTION CLASS	IPX8
WORKING TEMPERATURE	-5°-40°C
LIQUID TEMPERATURE	0°C-35°C
MAX. DIVING DEPTH	7m
MAX. DIA. OF PARTICLE	1mm
MOTOR	Heavy Copper winding

RATED VOLTAGE	220V-240V
RATED CURRENT	5.3A @ 230V
POWER CABLE TYPE	H07RN-F
LENGTH OF POWER CABLE	10m
PROTECTION CLASS	IPX8
IMPELLERS	4
OUTLET	1" BSPF
PACKAGE DIMENSION	350x240x540mm
GROSS WEIGHT (KG)	12kg
AUTOMATION FUNCTION	iSENSOR Auto Control + Fixed Arm Float Switch
CUT IN PRESSURE	2.5 bar

CURVE

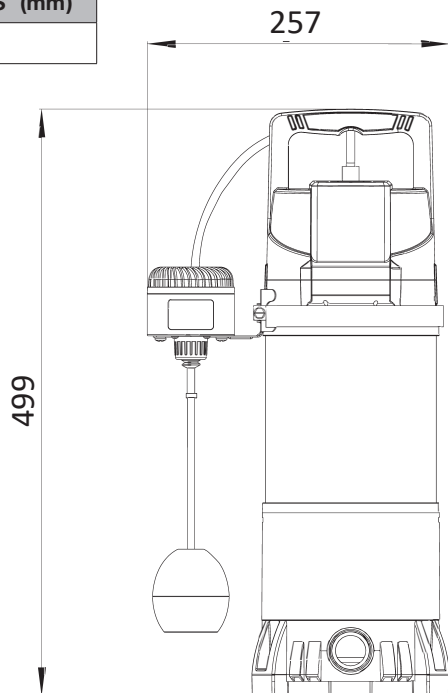


BIA-AUTOSUB & BIA-AUTOSUBX

DIMENSIONS

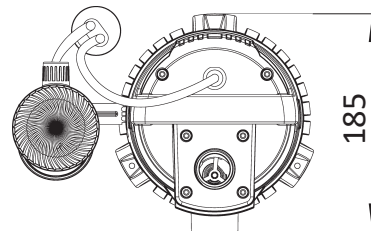
DIMENSIONS (mm)

251 x 492



DIAMETER (mm)

159



WARRANTY / CERTIFICATIONS

